

SPECIFICATION

A: MATERIAL:

- 1.BODY: PA66
- 2.TERMINAL: Cu PLATED Sn
- 3.PIN: Cu PLATED Ni
- 4.COVEY: NYLON 66

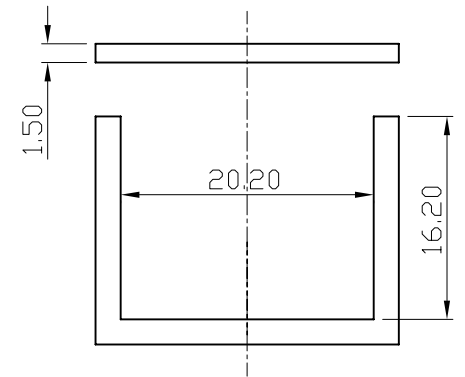
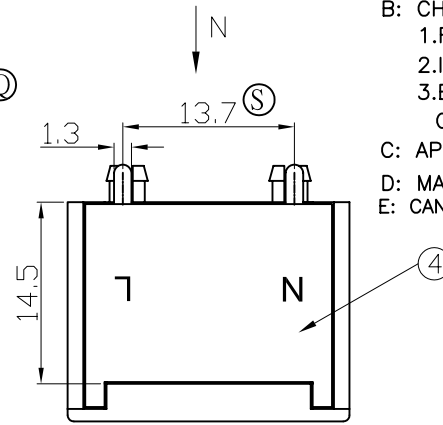
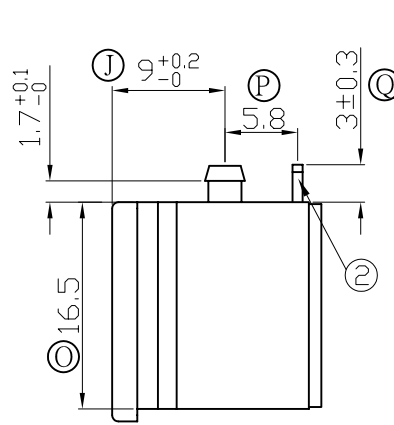
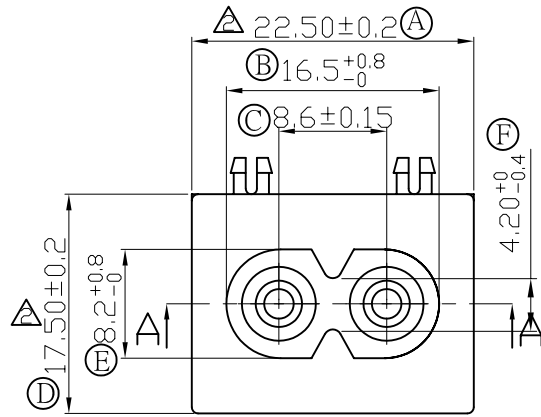
B: CHARACTERISTICS:

- 1.RATING: 2.5A 250V~(C-ULus, ENEC & CCC & KC)
- 2.INSULATION RESISTANCE:100MΩ MIN,AT 500VDC
- 3.ELECTRIC STRENGTH : 3000 VAC/1MIN,LEAKAGE CURRENT UNDER 0.5mA

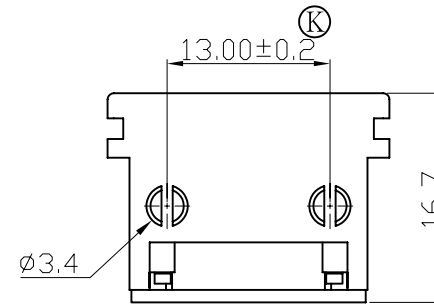
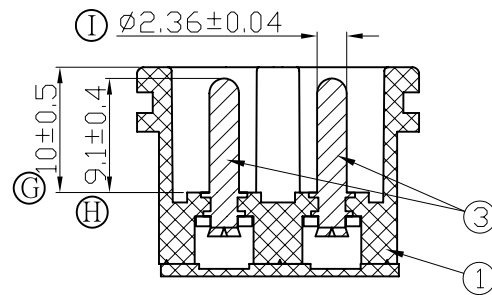
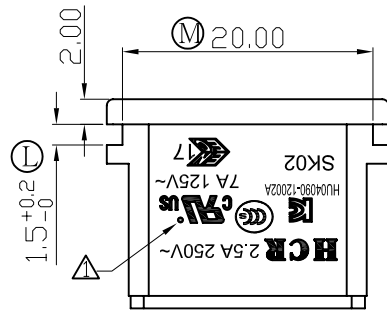
C: APPROVALS: C-ULus, ENEC & CCC & KC

D: MATERIAL USED MUST BE COMPLY WITH HQI-0010

E: CAN MEET ROHS

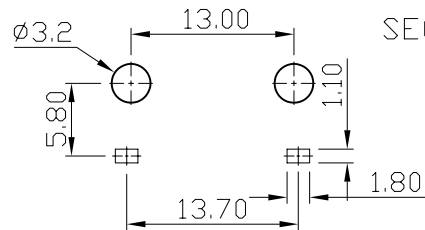


PANEL CUT-OUT



SECTION A-A

VIEW N



PCB LAYOUT

TOLERANCES UNLESS OTHERWISE 未指定容許差尺寸之公差	
BASIC DIMENSIONS TOLERANCES	
UP TO 10 (10以下)	±0.3
ABOVE 10 TO 100(10-100)	±0.5
ABOVE 100 (100 以上)	±0.8
ANGULAR DIMENSIONS(角度)	±5°
DIMENSION UNIT	mm

東莞市華之力電子有限公司 DONGGUAN HCR ELECTRONICS CO., LTD.

NO	DATE	REVISION DESCRIPTION	REVISION	DRAWN	APPROVED	繪圖 DRAWN BY	日期 DATE	路徑 DWG NO	E:\成品圖 \SK02\820193	料號 ITEM NO	機型 PART NAME	型號 PART NO
2	2013/10/16	修訂尺寸公差：22.5±0.3=>22.5±0.2/17.5±0.3=>17.5±0.2	A2	LamPeng	RZTang	核准 APPROVED BY	20131016	投影法 PROJECT	機型 PART NAME	INLET SOCKET		
1	2013/7/29	修改刻字位置	A1	LamPeng	RZTang	校對 CHECKED BY	20131016	比例 SCALE	1:1	型號 PART NO	SK02	
0	2013/7/12	新制定	A0	LamPeng	RZTang	繪圖 DRAWN BY	20131016	路徑 DWG NO	E:\成品圖 SK02\820193	料號 ITEM NO	SK02-2401382221B	